



SMALL EXCAVATOR RANGE

SY50U



SANY

- » Extra reinforcement of major structural members and large multi-stage air and fuel filtration make the machine more stable and reliable
- » The tier 4 final power plant, advanced SLSS hydraulic system, optimal power control and work mode selection improve speed and power while reducing fuel consumption
- » Zero tail swing radius and independent boom swing allow operation in extremely confined spaces. This allows operation in locations that were previously inaccessible.
- » Easily accessible service points and a detachable radiator screen are among the features that make scheduled maintenance more convenient

SY50U-TIER 4F

 OPERATING WEIGHT:

5200kg

 ENGINE MODEL:

**Yanmar 4TNV88C
-PSY**

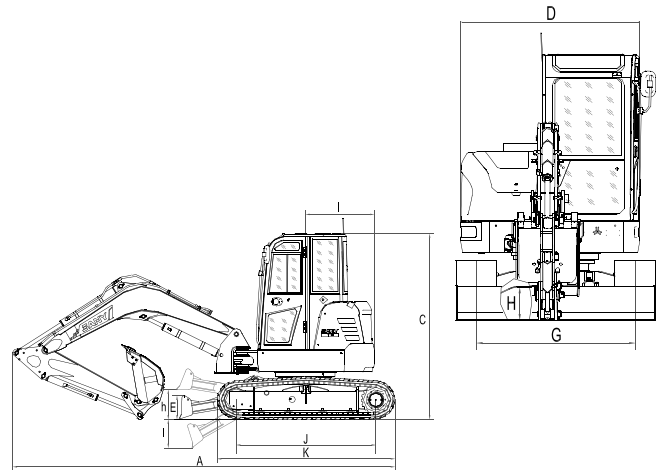
 WARRANTY:

5 Year / 5,000 Hour

SY50U DIMENSIONS & SPECIFICATIONS

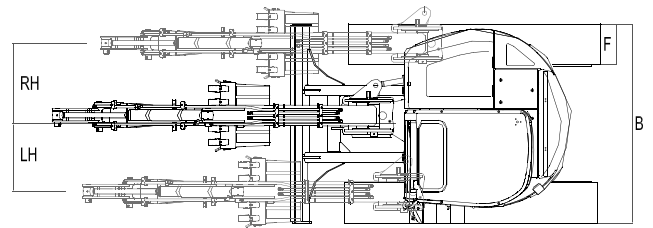
OVERALL DIMENSIONS

A	Transport Length	5390 mm
B	Transport Width	1960 mm
C	Transport Height	2630 mm
D	Upper Frame Width	1760 mm
E	Cab Height	340 mm
F	Standard Track Width	400 mm
G	Track Gauge	1560 mm
H	Min Ground Clearance	325mm
I	Tail Swing Radius	980 mm
J	Track Ground Length	1990 mm
K	Track Length	2510 mm



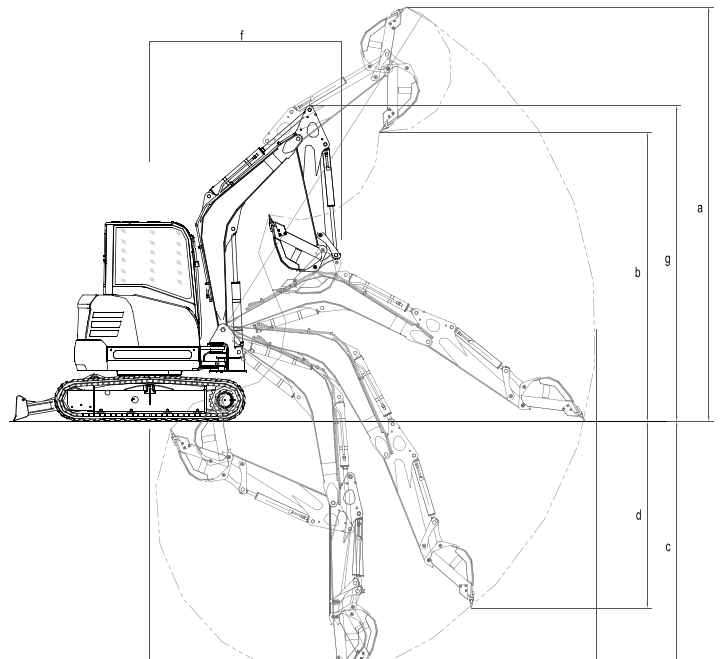
WORKING RANGE

a	Maximum Digging Height	5450 mm
b	Maximum Dumping Height	3805 mm
c	Maximum Digging Depth	3420 mm
d	Maximum Vertical Wall Digging Depth	2460 mm
e	Maximum Digging Reach	5880 mm
f	Minimum Swing Radius	2520 mm
g	Maximum Height at Minimum Swing Radius	4155 mm



MACHINE PARAMETERS

Operating Weight	11,905 lb - 5,400 Kg
Engine Type	Yanmar
Engine Max Power (Gross)	39 hp/29.1 kW @ 2400 rpm 10.3KW/2200rpm
Engine Max Torque	133.3 ft-lbs/144.9 Nm @ 1500 rpm
Engine Displacement	133.8 in3 - 2.191
Main Pump Flow	29 gal/110 lpm
Swing Speed	10 rpm
Travel Speed	2.5/1.5 mph 4.1/2.4 kph
Tractive Effort	9,150 lbf - 40.7 kN
Max Arm Digging Force (SAE)	5,150 lbf - 22.9 kN
Number of Upper Rollers	2
Number of Lower Rollers	4
Fuel Tank Capacity	20.6 gal - 78 L
Hydraulic Tank Capacity	13.7 gal - 52 L
Cooling System Capacity	1.1 gal - 4.2 L
Engine Oil Capacity	2.0 gal - 7.4 L
Ground Pressure	4.5 psi - 31.6 kPa



Not all products are available in all markets. Under our policy of continuous improvement, Sany reserve the right to change specifications and design without prior notice. The illustrations do not necessarily show the standard version of the machine.

SANY HEAVY MACHINERY (AUSTRALIA)

21 EFFICIENT DRIVE, TRUGANINA VIC 3029

PHONE 0400 724 483 WWW.SANYAUSTRALIA.COM.AU

